

RAM DBS

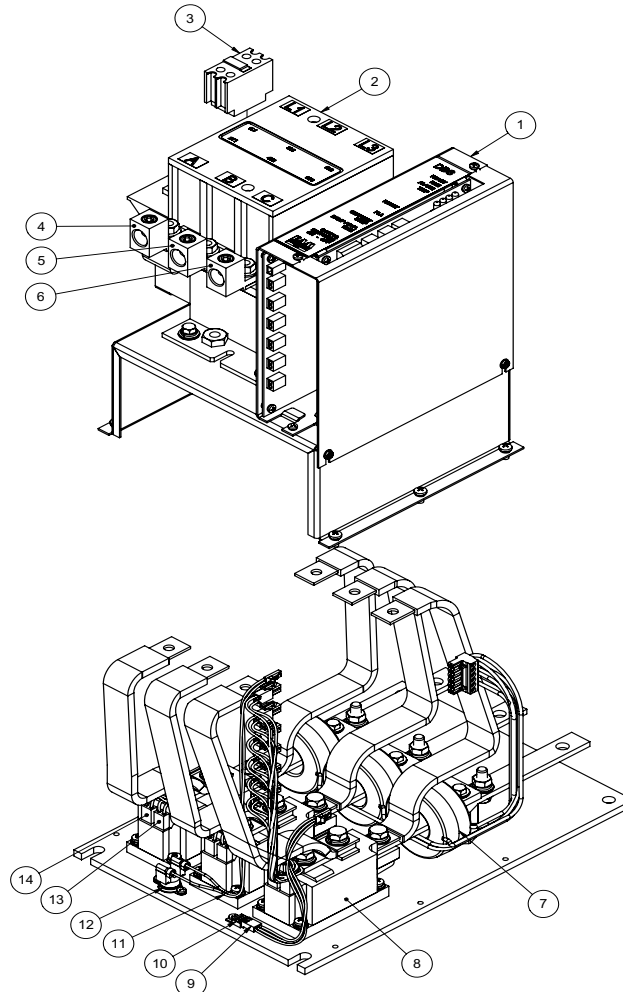
Solid State Starter

Replacement Parts

DBS Chassis Sizes B1, B2, B3, C1, C2, C3
with RAM Contactor

TABLE REVISED JAN 08

Item	Replacement Parts	B1	B2	B3	C1	C2	C3
1	Circuit Board Set	RAM-400339-AF	RAM-400339-AF	RAM-400339-AF	RAM-400339-AF	RAM-400339-AF	RAM-400339-AF
2	Bypass Contactor	RI1-F115A-120	RI1-F150A-120	RI1-F185A-120	RI1-F150A-120	RI1-F185A-120	RI1-F265A-120
3	Aux Contact	RI1D-N11	RI1D-N11	RI1D-N11	RI1D-N11	RI1D-N11	RI1D-N11
4	Load Lug (Left)	TL-0243	TL-0244	TL-0244	TL-0255	TL-0255	TL-0258
5	Load Lug (Center)	TL-0243	TL-0244	TL-0244	TL-0253	TL-0253	TL-0256
6	Load Lug (Right)	TL-0243	TL-0244	TL-0244	TL-0254	TL-0254	TL-0257
7	Current Transformer	XF-0196	XF-0198	XF-0198	XF-0199	XF-0302	XF-0303
8	SCR Module (Eupec)	CR-0096	CR-0096	CR-0096	CR-0097	CR-0097	CR-0097
8a	SCR Module (Jinglai)	CR-0140	CR-0140	CR-0140	CR-0141	CR-0141	CR-0141
9	Temp Sensor Harness	HA-0877	HA-0877	HA-0877	HA-0877	HA-0877	HA-0877
10	Temp Sensor	IC-0036	IC-0036	IC-0036	IC-0036	IC-0036	IC-0036
11	Thermostat Harness	HA-0879	HA-0879	HA-0879	HA-0879	HA-0879	HA-0879
12	Thermostat	SW-0345	SW-0345	SW-0345	SW-0345	SW-0345	SW-0345
13	Gate Leads (Eupec-Right)	HA-0872	HA-0872	HA-0872	HA-0881	HA-0881	HA-0881
13a	Gate Leads (Jinglai-Right)	HA-400663-01	HA-400663-01	HA-400663-01	HA-400663-02	HA-400663-02	HA-400663-02
14	Gate Leads (Eupec-Left)	HA-0873	HA-0873	HA-0873	HA-0882	HA-0882	HA-0882
14a	Gate Leads (Jinglai-Left)	HA-400664-01	HA-400664-01	HA-400664-01	HA-400664-02	HA-400664-02	HA-400664-02



RAM DBS

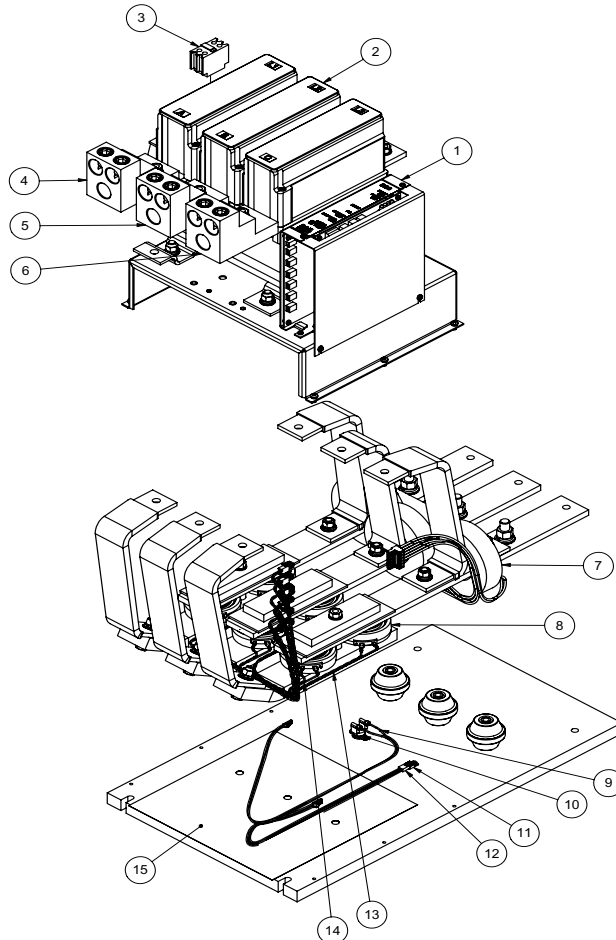
Solid State Starter

Replacement Parts (continued)

DBS Chassis Sizes D1, D2, D3, E1, E2, E3
with RAM Contactor

TABLE REVISED JAN 08

Item	Replacement Parts	D1-1	D1 or D2	D3	E1	E2	E3
1	Circuit Board Set	RAM-400339-AF	RAM-400339-AF	RAM-400339-AF	RAM-400339-AF	RAM-400339-AF	RAM-400339-AF
2	Bypass Contactor	RI1-F330A-120	RI1-F400A-120	RI1-F500A-120	RI1-F630A-120	RI1-F630A-120	RI1-F630A-120
3	Aux Contact	RI1D-N11	RI1D-N11	RI1D-N11	RI1D-N11	RI1D-N11	RI1D-N11
4	Load Lug (Left)	TL-0263	TL-0263	TL-0247	TL-0248	TL-0248	TL-0248
5	Load Lug (Center)	TL-0261	TL-0261	TL-0247	TL-0249	TL-0249	TL-0249
6	Load Lug (Right)	TL-0262	TL-0262	TL-0247	TL-0250	TL-0250	TL-0250
7	Current Transformer	XF-0210	XF-0210	XF-0202	XF-0203	XF-0203	XF-0203
8	SCR (Eupec)	CR-0109	CR-0109	CR-0110	CR-0110	CR-0110	CR-0132
8a	SCR (Jinglai)	CR-0142	CR-0143	CR-0143	CR-0143	CR-0144	CR-0144
9	Thermostat Harness	HA-0880	HA-0880	HA-0880	HA-0880	HA-0880	HA-0880
10	Thermostat	SW-0345	SW-0345	SW-0345	SW-0345	SW-0345	SW-0345
11	Temp Sensor	IC-0036	IC-0036	IC-0036	IC-0036	IC-0036	IC-0036
12	Temp Sensor Harness	HA-0878	HA-0878	HA-0878	HA-0878	HA-0878	HA-0878
13	Gate Leads (Eupec-Long)	HA-0875	HA-0875	HA-0875	HA-0875	HA-0875	HA-0875
13a	Gate Leads (Jinglai-Long)	HA-400665-02	HA-400665-02	HA-400665-02	HA-400665-02	HA-400665-02	HA-400665-02
14	Gate Leads (Eupec-Short)	HA-0876	HA-0876	HA-0876	HA-0876	HA-0876	HA-0876
14a	Gate Leads (Jinglai-Short)	HA-400665-01	HA-400665-01	HA-400665-01	HA-400665-01	HA-400665-01	HA-400665-01
15	Baseplate Insulator (3/8" bolt)	HD-0637	HD-0637	HD-0637	HD-0637	HD-0637	HD-0637
15a	Baseplate Insulator (1/2" bolt)	HD-400506	HD-400506	HD-400506	HD-400506	HD-400506	HD-400506



RAM DBS

Solid State Starter

Replacement Parts (continued)

DBS Chassis Sizes D1, D2, D3, E1, E2, E3
with ABB Contactor

TABLE REVISED JAN 08

Item	Replacement Parts	D1-1	D1 or D2	D3	E1	E2	E3
1	Circuit Board Set	RAM-400339-AF	RAM-400339-AF	RAM-400339-AF	RAM-400339-AF	RAM-400339-AF	RAM-400339-AF
2	Bypass Contactor	CT-0794	CT-0795	CT-0796	CT-0797	CT-0798	CT-798
3	Aux Contact	CT-0895	CT-0895	CT-0895	CT-0895	CT-0895	CT-0895
4	Load Lug Kit (3)	TL-0234	TL-0235	TL-0235	TL-0236	TL-0236	TL-0236
5	Current Transformer	XF-0210	XF-0210	XF-0202	XF-0203	XF-0203	XF-0203
6	SCR (Eupec)	CR-0109	CR-0109	CR-0110	CR-0110	CR-0110	CR-0132
6a	SCR (Jinglai)	CR-0142	CR-0143	CR-0143	CR-0143	CR-0144	CR-0144
7	Thermostat Harness	HA-0880	HA-0880	HA-0880	HA-0880	HA-0880	HA-0880
8	Thermostat	SW-0345	SW-0345	SW-0345	SW-0345	SW-0345	SW-0345
9	Temp Sensor	IC-0036	IC-0036	IC-0036	IC-0036	IC-0036	IC-0036
10	Temp Sensor Harness	HA-0878	HA-0878	HA-0878	HA-0878	HA-0878	HA-0878
11	Gate Leads (Eupec-Long)	HA-0875	HA-0875	HA-0875	HA-0875	HA-0875	HA-0875
11a	Gate Leads (Jinglai-Long)	HA-400665-02	HA-400665-02	HA-400665-02	HA-400665-02	HA-400665-02	HA-400665-02
12	Gate Leads (Eupec-Short)	HA-0876	HA-0876	HA-0876	HA-0876	HA-0876	HA-0876
12a	Gate Leads (Jinglai-Short)	HA-400665-01	HA-400665-01	HA-400665-01	HA-400665-01	HA-400665-01	HA-400665-01
13	Baseplate Insulator (3/8" bolt)	HD-0637	HD-0637	HD-0637	HD-0637	HD-0637	HD-0637
13a	Baseplate Insulator (1/2" bolt)	HD-400506	HD400506	HD400506	HD400506	HD400506	HD400506

